

# MENUMASTER<sup>®</sup> Commercial

Project #: \_\_\_\_\_

Item #: \_\_\_\_\_



Model RCS511TS shown

## Medium Volume

This category of microwave is ideal for...

### Applications:

- Pizza restaurants
- Casual dining
- Clubs
- Deli

### Defrost:

- Defrosts most frozen food products

All ACP, Inc. commercial ovens are backed by our Culinary Center. Call us with any question regarding food preparation, menu development and cooking times. 866-426-2621.

## Medium Volume

### Menumaster Commercial Microwave Model RCS511TS

#### Power Output

- 1100 watts of power.
- Five power levels for consistent, delicious results for frozen, refrigerated and fresh foods - from the freezer to table in minutes.

#### Easy to Use

- Up to 100 programmable menu items simplifies cooking and ensures consistent results.
- Four stage cooking option for easy one-touch cooking.
- Multiple quantity pad calculates the proper cooking times for multiple portions.
- User friendly touch controls are easy to use.
- Time entry option for added flexibility.
- Digital display with countdown timer for simple operation and "at-a-glance" monitoring.
- Braille touch pads.
- See-through door and lighted interior for monitoring without opening the door.
- 34 Liter (1.2 cubic ft.) capacity accommodates a 356 mm (14") platter, prepackaged foods and single servings.
- Stackable to save valuable counter space.

#### Easy to Maintain

- Stainless steel exterior and interior for easy cleaning and a professional look.
- Non-removable air filter protects oven components.
- Constructed to withstand the foodservice environment.
- Backed by the ACP, Inc. 24/7 ComServ Support Center, 866-426-2621.

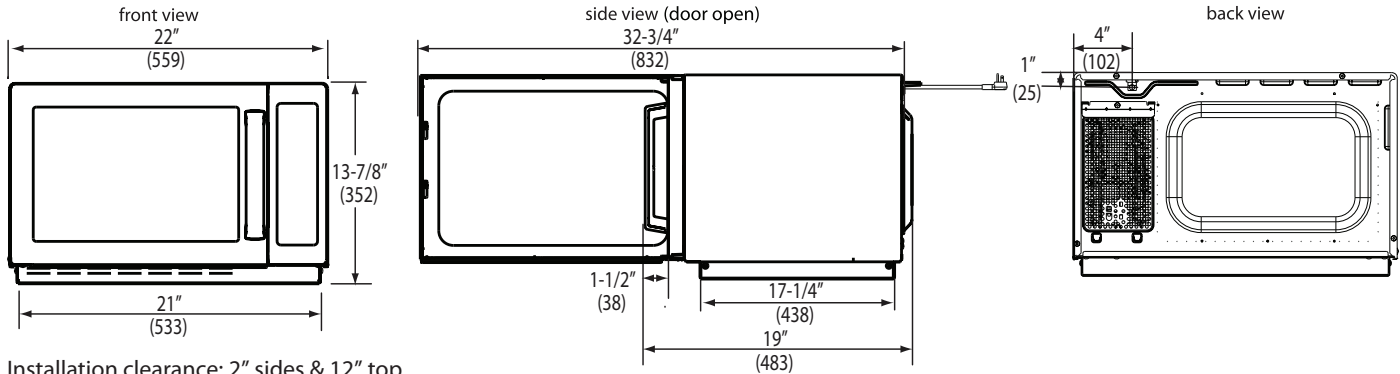


AIA File #:

Specification #:



# MenuMaster Commercial Microwave Model RCS511TS | Medium Volume



Installation clearance: 2" sides & 12" top

Specification #:

Specifications			
Model	RCS511TS	UPC Code 728028020762	
Configuration	Countertop		
Control System	Touch		
Programmable Control	10 pads		
Settings Programmable	100		
Max. Cooking Time	60:00		
Power Levels	5		
Defrost	Yes		
Time Entry Option	Yes		
Microwave Distribution	Rotating antenna, top		
Magnetron(s)	1		
Display	VFD		
Stackable	Yes		
Stage Cooking	Yes, 4		
Interior Light	Yes		
Door Handle	Grab & Go		
Signal	End of cycle, adjustable		
Air Filter	Non-removable with cleaning reminder		
Multiple Portion Setting	Yes, X2		
Exterior Dimensions	H 352 (13 7/8")	W 559 (22")	D*483 (19")
Cavity Dimensions	H 216 (8 1/2")	W 368 (14 1/2")	D 381 (15")
Door Depth	832 (32 3/4"), 90°+ door open		
Usable Cavity Space	34 Liters (1.2 cubic ft.)		
Exterior Finish	Stainless steel		
Interior Finish	Stainless steel		
Power Consumption	1550 W, 13 A		
Power Output**	1100 W** Microwave		
Power Source	230V, 50 Hz, 15 A single phase		
Plug Configuration / Cord	CEE 7/7 "Shuko" 1.5 m (5 ft.)		
Frequency	2450 MHz		
Product Weight	18.6 kg. (41 lbs.)		
Ship weight (approx.)	21.3 kg (47 lbs.)		
Shipping Carton Size	H 431 (17")	W 660 (26")	D 502 (19 3/4")
UPS Shippable	Yes		

AIA File #:

Measurements are in millimeters

\* Includes handle

\*\* IEC 60705 Tested

## Specifications

Commercial microwave 10 touch pad control panel shall be programmable with the ability to program up to 100 menu items with two multiple portions. Touch pad shall include Braille for ADA compliance. Cooking timer shall be 60 minute, countdown style with a time entry option and an adjustable end of cycle audible signal. There shall be 5 power levels, including defrost and 4 cooking stages. Microwave output shall be 1100 watts distributed by one magnetron with a rotating top antenna to provide superior even heating throughout the cavity. Durable door shall have a tempered glass window and a grab and go handle with a 90°+ opening for easy access. An interior light shall facilitate monitoring without opening the door. The large 34 Liter (1.2 cubic ft.) cavity shall accommodate a 356 mm (14") platter. Interior ceramic shelf shall be sealed and recessed on oven bottom to reduce plate-to-shelf edge impact. Oven shall have a stainless steel interior and exterior and be stackable to save counter and shelf space. Front air filter shall be permanently affixed to the front off the oven and have a clean filter reminder. Microwave oven shall comply with standards set by the U.S Department of Health and Human Services.



## Warranty

Warranty Certificate for this product can be found by locating it on the ACP, Inc. website at:

[www.acpsolutions.com/warranty](http://www.acpsolutions.com/warranty)





Model RMS510TS shown

### Low Volume

This category of microwave is ideal for...

#### Applications:

- Convenience stores
- Dessert stations
- Nurses stations
- Teachers/Staff lounge

All ACP, Inc. commercial ovens are backed by our Culinary Center. Call us with any question regarding food preparation, menu development and cooking times. 866-426-2621.

## Low Volume

### Commercial Microwave Model RMS510TS

#### Power Output

- 1000 watts of power.
- Five power levels for cooking flexibility.
- Three cooking stages for one touch cooking.

#### Certified Oven for Commercial Applications

- Tested to higher standards for a commercial rating - required by most commercial insurance polices and health inspectors.
- Interlock safety switch is tested to 4 times the standard of residential ovens.
- Constructed to withstand the foodservice environment, multiple users and variable ambient temperatures.
- Compared to a residential oven, this oven is more powerful for faster heating and better quality results.
- Engineered for a simple, "self-service" operation.

#### Easy to Use

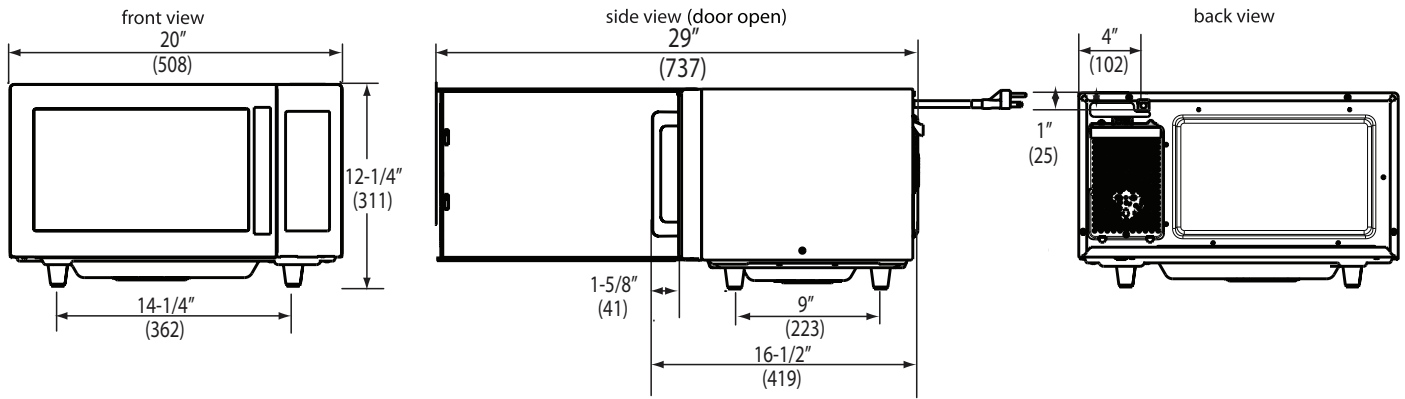
- Perfect replacement for inappropriate domestic ovens used in a foodservice applications.
- Touch controls are perfect for self-service locations.
- 20 programmable menu items simplifies cooking.
- Multiple quantity pad calculates the proper cooking times for multiple portions.
- Braille touch pads.
- See-through door and lighted interior for monitoring without opening the door.
- 23 liter (0.8 cu. ft.) capacity accommodates a 305 mm (12") platter, prepackaged foods and single servings.

#### Easy to Maintain

- Stainless steel exterior wrap and oven interior for easy cleaning.
- Sealed in ceramic shelf for easy cleaning.
- TUV Listed.




# Menumaster Commercial Microwave Model RMS510TS | Low Volume



**Installation Clearances** - Top: 7" (178), Sides: 1" (25), Back: None

Specification #:

Specifications			
Model	RMS510TS	UPC Code 728028020830	
Configuration	Countertop		
Control System	Touch		
Programmable Control Pads	10		
Settings Programmable	20		
Max. Cooking Time	60:00		
Power Levels	5		
Defrost	Yes		
Time Entry Option	Yes		
Microwave Distribution	Rotating stirrer, bottom		
Magnetron	1		
Display	LED		
Stage Cooking	Yes, 3		
Interior Light	Yes		
Door Handle	Grab & Go		
Signal	End of cycle, adjustable		
Exterior Dimensions	H 311 (12 1/4")	W 508 (20")	D* 419 (16 1/2")
Cavity Dimensions	H 197 (7 3/4")	W 330 (13")	D 330 (13")
Door Depth	737 (29"), 90°+ door open		
Usable Cavity Space	23 liter (0.8 cu. ft.)		
Exterior Finish	Stainless steel wrap		
Interior Finish	Stainless steel		
Power Consumption	1500 W, 7.3 A		
Power Output**	1000 W** Microwave		
Power Source	230V, 50 Hz, 16 A single phase		
Plug Configuration / Cord	CEE 7/7	1.5 m (5 ft.)	
Frequency	2450 MHz		
Product Weight	14.5 kg. (32 lbs.)		
Ship weight (approx.)	17.7 kg. (39 lbs.)		
Shipping Carton Size	H 381 (15")	W 584 (23")	D 457 (18")

## Specifications

Commercial microwave 10 touch pad control panel shall be programmable with the ability to program up to 20 menu items. Touch pad shall include Braille for ADA compliance. Cooking timer shall be 60 minute countdown style for all power settings with a time entry option and an end of cycle audible signal. LED display shall be backlit. Oven shall have 5 power levels and 3 cooking stages. Microwave output shall be 1000 watts distributed by one magnetron with a bottom feed rotating stirrer to provide superior even heating throughout the cavity. Durable door shall have a tempered glass window and a grab and go handle with a 90°+ opening for easy access. An interior light shall facilitate monitoring without opening the door. The 23 liter (0.8 cubic ft.) cavity shall accommodate a 305 mm (12") platter. Oven shall have a stainless steel exterior wrap and stainless steel interior. Microwave oven shall comply with standards set by the U.S Department of Health and Human Services, TUV listed.



## Warranty

Warranty Certificate for this product can be found by locating it on the ACP, Inc. website at:

[www.acpsolutions.com/warranty](http://www.acpsolutions.com/warranty)



AIA File #:

Measurements are in millimeters

\* Includes handle

\*\*IEC 60705 Tested

Part No. 20154820  
Updated 6/24/16  
Original Instructions



© 2016 ACP, Inc.  
Cedar Rapids, Iowa 52404