

## K 160

A high hourly capacity with a superior washing result and a minimum space usage, those were the criteria imposed on the "K 160 concept". This philosophy responds to the wishes of a great number of users.

Until now, only manually fed hood type machines could be used on such tight areas, the K 160 now offers all the operating comforts previously reserved to the big basket conveyor machines.



### Execution:

Working direction: left - right

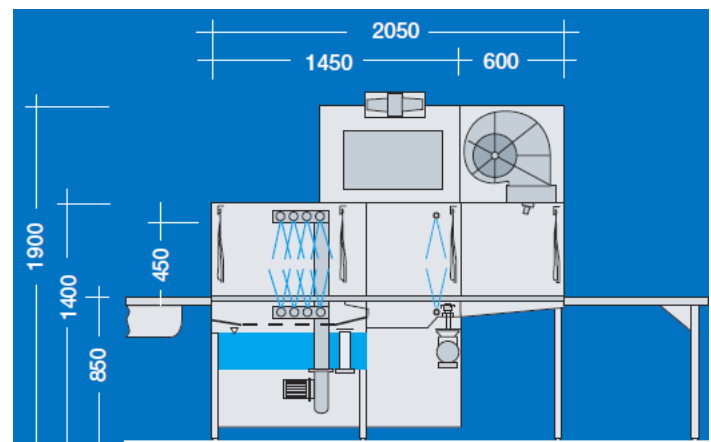
|   |                     |
|---|---------------------|
| _ Capacity                                | 80 baskets/h        |
| _ Capacity (according to USA calculation) | 111 baskets/h       |
| _ Capacity                                | 1400 plates/h       |
| _ Capacity (according to USA calculation) | 1943 plates/h       |
| _ Length (without drying tunnel)          | 1.450 mm            |
| _ Main wash zone                          | 900 mm, pump 1,1 kW |
| _ Booster heater (w/o heat recovery)      | 24 kW               |
| _ Booster heater (w/ heat recovery)       | 12 kW               |
| _ Tank heating                            | 10 kW               |
| _ Total KW                                | 23.80 kW            |
| _ Tank capacity                           | 85 liters           |
| _ Final rinse water quantity              | 260 l/h             |
| _ Fresh water saving device               |                     |

| <b>Machine Weight</b>                       | <b>(with drying zone)</b> | <b>(without drying zone)</b> |
|---|---------------------------|------------------------------|
| _ Net weight (empty)                        | 265 kg                    | 175 kg                       |
| _ Operational (full with water/no crockery) | 350 kg                    | 260 kg                       |
| _ Gross (with packaging)                    | 300 kg                    | 220 kg                       |

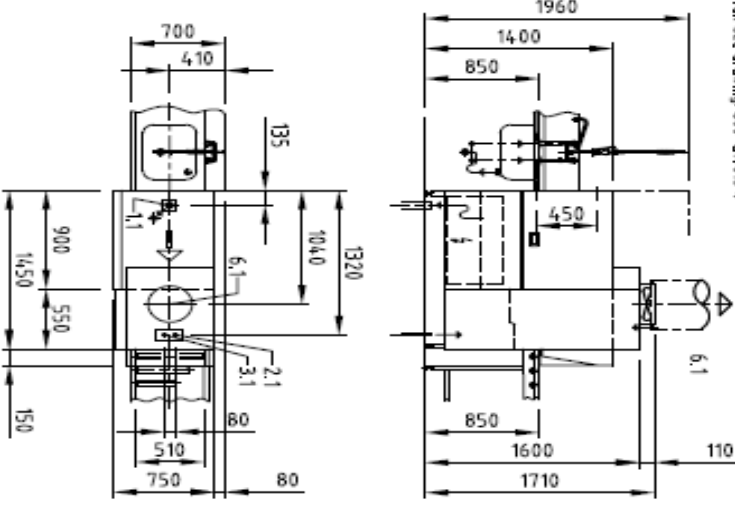
Incl. the following accessories: **without baskets**

- \_ Pressure reducing valve (normal water)
- \_ Reflux preventor
- \_ Emergency-off-switch
- \_ Tank cover sieve HWZ
- \_ Rinse aid-mixing chamber (saving of up to 70% on rinse aid)

Thermal Label - not available



Drawing – Left to Right

|  |   |              |          |                |          |                    |         |          |         |               |         |
|--|---|--------------|----------|----------------|----------|--------------------|---------|----------|---------|---------------|---------|
| <p>1.1 drain position in floor, allowing for trap from machine</p>   | <p>DN 50<br/>         Ø 50 a<br/>         DN 20<br/>         G 3/4 a</p>  |              |          |                |          |                    |         |          |         |               |         |
| <p>2.1 max. 0,54 mmol/l CaCO<sub>3</sub> / 53,4 ppm/CaCO<sub>3</sub> (max 3*GH)<br/>         consumption approx. 290 l/h for final rinse<br/>         Consumption approx. 85 l for tank filling (TF)</p>   | <p>3 MPE 400 V ~ 50 Hz<br/>         36,02 A<br/>         36,02 A / 23,80 kW<br/>         16 mm<sup>2</sup><br/>         approx. 2,5 m</p> |              |          |                |          |                    |         |          |         |               |         |
| <p>3.1 electrical supply to the machine<br/>         power cord designed for<br/>         standard electrical current / power<br/>         max. cable cross section<br/>         free cable end from FFL<br/>         ⊕ Voltage equalising cable</p>   | <p>exhaust air fan<br/>         Ca. 4,7 kW<br/>         ca. 1,1 kW<br/>         ca. 3,6 kW</p>  |              |          |                |          |                    |         |          |         |               |         |
| <p>6.1 air outlet quantity approx. 850 m<sup>3</sup>/h,<br/>         temp. approx 55°C; relative humidity approx. 85 %,<br/>         remaining pressure approx. 20 Pa.<br/>         (incl. air present in the kitchen, approx. 200m<sup>3</sup>/h)</p>   | <p>total perceptible<br/>         latent<br/>         Ca. 4,7 kW<br/>         ca. 1,1 kW<br/>         ca. 3,6 kW</p>                      |              |          |                |          |                    |         |          |         |               |         |
| <p>heat load of the wash room<br/>         values do not include heat emission from washware</p>   |   |              |          |                |          |                    |         |          |         |               |         |
| <p>Performance data</p> <table border="1"> <tr> <td>tank heating</td> <td>10,50 kW</td> </tr> <tr> <td>booster heater</td> <td>12,00 kW</td> </tr> <tr> <td>transport motor(s)</td> <td>0,09 kW</td> </tr> <tr> <td>pump (s)</td> <td>1,10 kW</td> </tr> <tr> <td>waste air fan</td> <td>0,11 kW</td> </tr> </table> <p>Machine Equipment<br/>         exhaust air outlet (AK) with fan</p>  |   | tank heating | 10,50 kW | booster heater | 12,00 kW | transport motor(s) | 0,09 kW | pump (s) | 1,10 kW | waste air fan | 0,11 kW |
| tank heating   | 10,50 kW  |              |          |                |          |                    |         |          |         |               |         |
| booster heater   | 12,00 kW  |              |          |                |          |                    |         |          |         |               |         |
| transport motor(s)   | 0,09 kW   |              |          |                |          |                    |         |          |         |               |         |
| pump (s)   | 1,10 kW   |              |          |                |          |                    |         |          |         |               |         |
| waste air fan  | 0,11 kW   |              |          |                |          |                    |         |          |         |               |         |
| <p>Waste air detail see drawing: S00-GN4016 4</p>    |   |              |          |                |          |                    |         |          |         |               |         |
| <p>MASCHINENBAU GMBH &amp; CO. KG.<br/>         ENGLERSSTR. 3 77652 OFFENBURG GERMANY<br/>         TEL. 0781/2030 TELEFAX 0781/2031903<br/>         E-MAIL: planung@meiko.de</p> <p>Region: Africa<br/>         Référence / Africa<br/>         K-TRONIC<br/>         STANDARD DRAWING / XXX</p> <p>Modèle: S00-G33909 4<br/>         dessin: 06.06.12<br/>         mekhoplan</p> <p>Modèle: K160<br/>         L-R<br/>         ELECTRICAL<br/>         AK/TF/SW</p> <p>№ de dessin: 11.06.12<br/>         WW</p> <p>Le constructeur se réserve le droit de modifier ses modèles sans préavis. Ce plan est<br/>         notifié propriété et ne peut être reproduit ou communiqué sans notre autorisation.<br/>         Nous nous réservons le droit de modification technique due au progrès technique. Ce<br/>         plan n'est pas valable régulièrement.<br/>         Attention:<br/>         Ce document est uniquement valide en relation avec les conditions décrites dans le<br/>         document "Techniques specifications". Il peut être demandé auprès de l'acheteur ou<br/>         l'installateur dans l'Allemagne.</p> |   |              |          |                |          |                    |         |          |         |               |         |